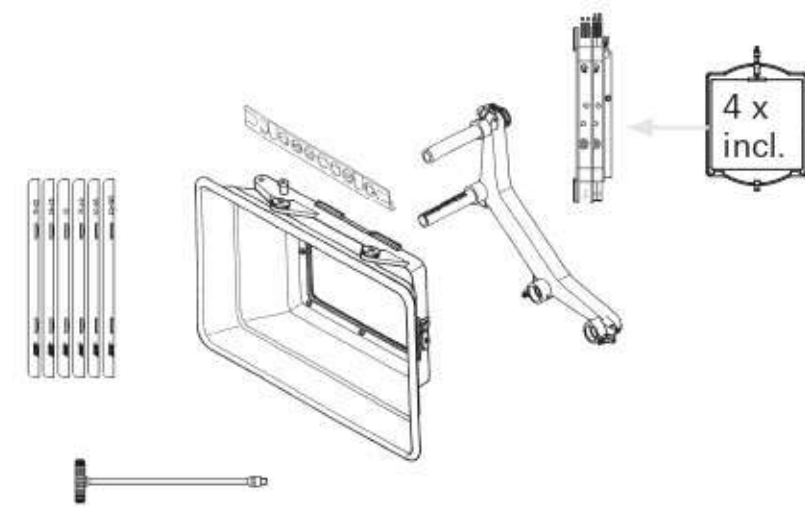


Matte Box 14, MB-14 (6.6" x 6.6")*



CONFIGURATION OVERVIEW – 8.3.0 / 2014.11

Set Option

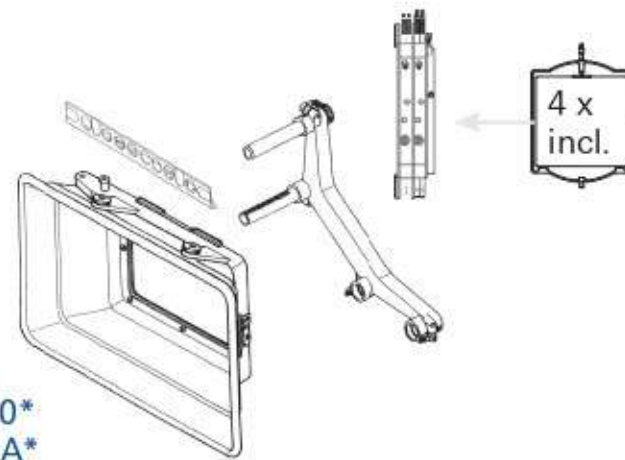


MB-14 Set for 19 mm Rods, K0.59971.0/ ***
MB-14 Set for 15 mm Rods, K0.59987.0/ ***

**** Set includes:**
 Basic Module: 19 mm K2.42149.0 or
 Basic Module: 15 mm K2.42149.A
 (incl. Filter Stage for four filters, K4.42217.0
 4x filter frames 6.6" x 6.6": 2x geared K4.47076.0
 2x non-geared K4.47074.0
 French Flag Holder, K5.42218.0)
 Mask Set 18 – 180 mm, K2.42306.0
 Flexible drive shaft, K2.34890.0

** For more sets and details please see price-list

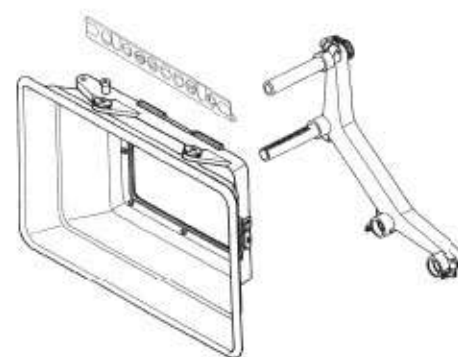
Accessories



Light Shield Set
 (top+left+right) K0.59972.0*
 (top only) K2.44447.0*
 (left/right only) K2.44726.0 *

MB-14 for 19 mm Rods, K2.42149.0*
MB-14 for 15 mm Rods, K2.42149.A*

Includes:
 Basic Module 19 mm K2.47878.0 or
 Basic Module 15 mm K2.47879.0
 Filter Stage for four Filters, K4.42217.0
 4x filter frames 6.6" x 6.6":
 2x geared, K4.47076.0
 2x non-geared, K4.47074.0



Set of masks
 18 – 180 mm
 K2.42306.0*
 (included in K0 Set)

Flexible drive shaft
 K2.34890.0
 (included in K0 Sets)

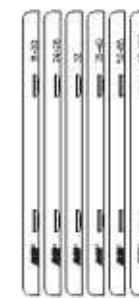
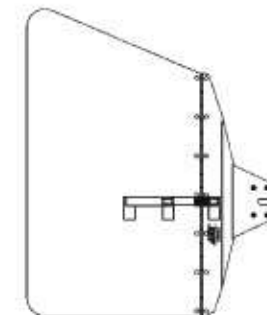
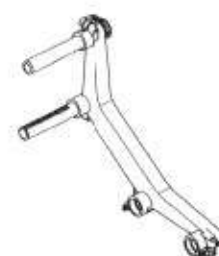
French flag holder
 K5.42218.0*
 (included in K0 Sets)

Basic Module 19 mm, K2.47878.0*
Basic Module 15 mm, K2.47879.0*
 (incl. the French Flag Holder and
 Console for swing away)

Carrier MB14-W
 for lenses from
 9.8 mm, K2.43957.0*

Conversion set
 Console to 19 mm rods
 K2.43344.0*
 Console to 15 mm rods
 K4.43263.0*

Case for MB-14/MB-28
 K2.44774.0*
 with variable dividers



Filter Stages (fits R1 Rings)

6-Filter Stage
 (6.6" x 6.6")
 K2.42286.0*
 two pairs rotatable and
 each separately slidable,
 incl. 2x Filter Frames:
 (1x K4.47074.0 &
 1x K4.47076.0)
 fits R1 Rings with
 ø 165 mm & F1 Filter
 Frames

4-Filter Stage
 (6.6" x 6.6")
 K4.42217.0*
 2x rotatable and 2x slidable
 incl. 4x Filter Frames:
 (2x K4.47074.0 &
 2x K4.47076.0)
 fits R1 Rings with
 ø 165 mm & F1 Filter
 Frames

3-Filter Stage
 (6.6" x 6.6")
 K2.42287.0*
 two rotatable as
 a pair, one rotatable
 individually all slidable;
 no Filter Frames included,
 fits R1 rings with
 ø 165 mm & F1 Filter
 Frames

2-Filter Stage
 (6.6" x 6.6")
 K2.45504.0*
 for UP 10 mm when
 shooting in Super 35
 no Filter Frames included,
 fits R1 rings with
 ø 165 mm & F1 Filter
 Frames

For Rings R1 please see
 Configuration Overview 9.0.0

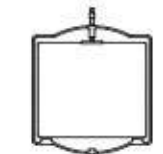
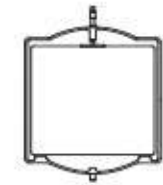
Filter Frames (F1)

6.6" x 6.6" Filter Frame, spare
 K4.47074.0
6.6" x 6.6" Filter frame, geared
 spare
 K4.47076.0

4 x 5.65 Reducer Frame
 K2.66038.0
 for 6.6x6.6 Filter Frames

5.65" x 5.65"
Filter Frame
 K2.66063.0

5" x 6"
Filter Frame
 K2.34881.0*



Filter Stages (fits R3 Rings)

snaps into the round back of above filter stages
 (space of filter rings);
 for use of smaller Filter Frames F6

4" x 4" Filter Stage
 K2.42293.0* for 2 filters
 4x 4" and
 one round filter 138 mm
 each rotate and slidable
 (includes 2x
 4 x 4" filter frames)

USE R3 FILTER RINGS
ONLY - fits rings with
 ø 128 mm & F6 Filter
 frames

For Rings R3 please see
 Configuration Overview 9.0.0

Filter Frames (F6)

4" x 6"
Filter frame vertical
 K2.34980.0*

4" x 5.65"
Filter frame vertical
 K2.32220.0*

4" x 4"
Filter frame spare
 K4.32902.0*



MB 14 technical data:

Min focal length 35 mm lenses:	9.8 mm (with MB14W)
Min focal length 35 mm lenses:	12 mm (with MB14)
Max number of 6 x 6 filters:	six 6 x 6 filters
Max number of 4 x 4 filters:	two 4 x 4 filters
Max number of 138 mm round filters:	one 138 mm
Max number of 4 1/2" round filters:	one 4 1/2" round filter
Dimensions:	372 x 260 x 155 mm
Weight:	approx. 2450 g (5.4 lbs)

CAUTION: RINGS CAN VIGNETTE.
PLEASE CONTACT ARRI.

* discontinued items
 only as long as stock is available

ø = diameter of connection
 ring to lens