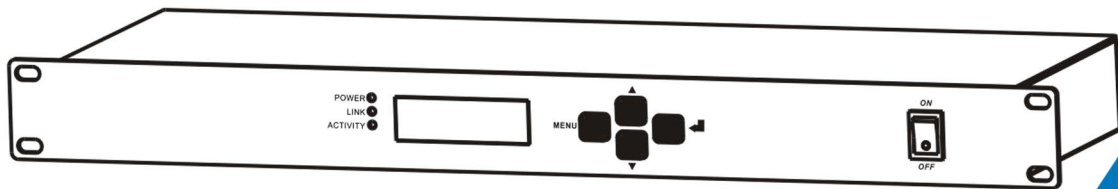


Acme
Art DMX A28



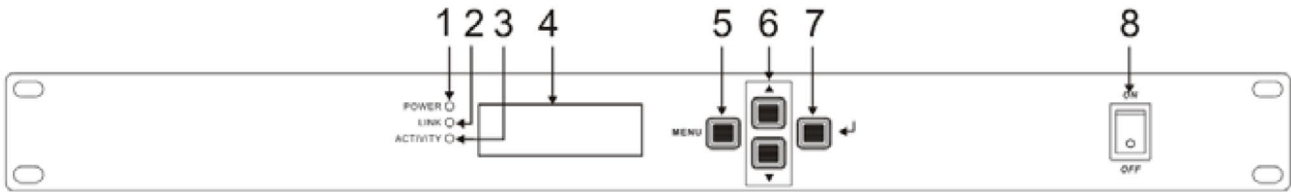
1. Features

- RJ45 Ethernet (LAN) connector, 10/100/1000M self-adaption, support TCP/IP protocol
- Ethernet connector supports Auto MDI/MDIX
- Support standard DMX-512 and ArtNet protocol
- Support ArtNet \longleftrightarrow DMX signal bilateral conversion
- DMX input/output can be set as able/disabled
- Each DMX output can be set as single, zero, HTP, LTP , RDM mode
- Can be acted as DMX splitter
- IP address can be set manually
- Six kinds of user pre-setting
- Display indicates each DMX port status
- LED indicators indicate the activate status of Ethernet
- Online updates software
- 2 DMX input, 8 DMX output. All the input /output with optoelectronic isolation

NOTE: Some basic knowledge of DMX is required to fully utilize this unit.

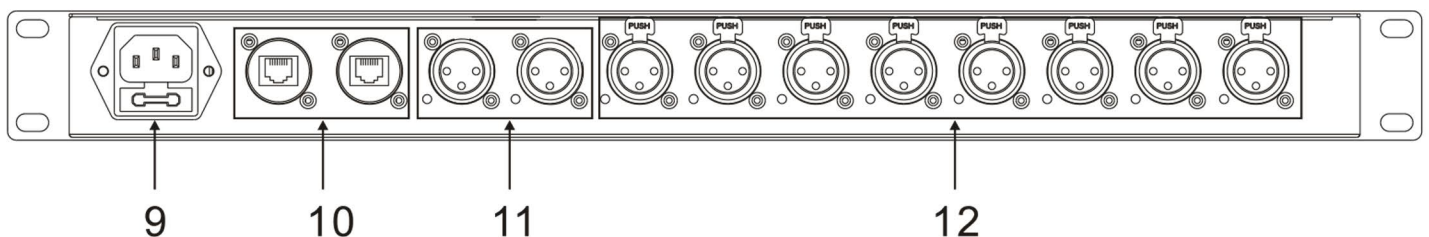
Overview

Front View

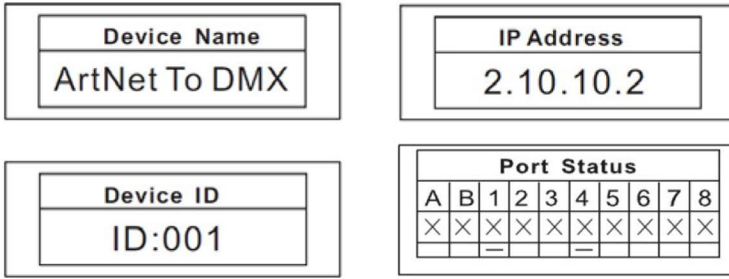


- | | |
|---------------------------------|---|
| 1 POWER LED indicator | To show the on/off status of the unit |
| 2 LINK LED indicator | Network connect status indicate |
| 3 ACTIVITY LED indicator | Network activity indicator, when there is any data transmit, it will flash. |
| 4 LCD Display | display the present status and the available option |
| 5 MENU Button | Enter into main menu or back to last menu |
| 6 UP/DOWN Button | UP and DOWN |
| 7 ENTER Button | Enter and Confirm |
| 8 Power Switch Button | Power ON/OFF the unit |

Rear View



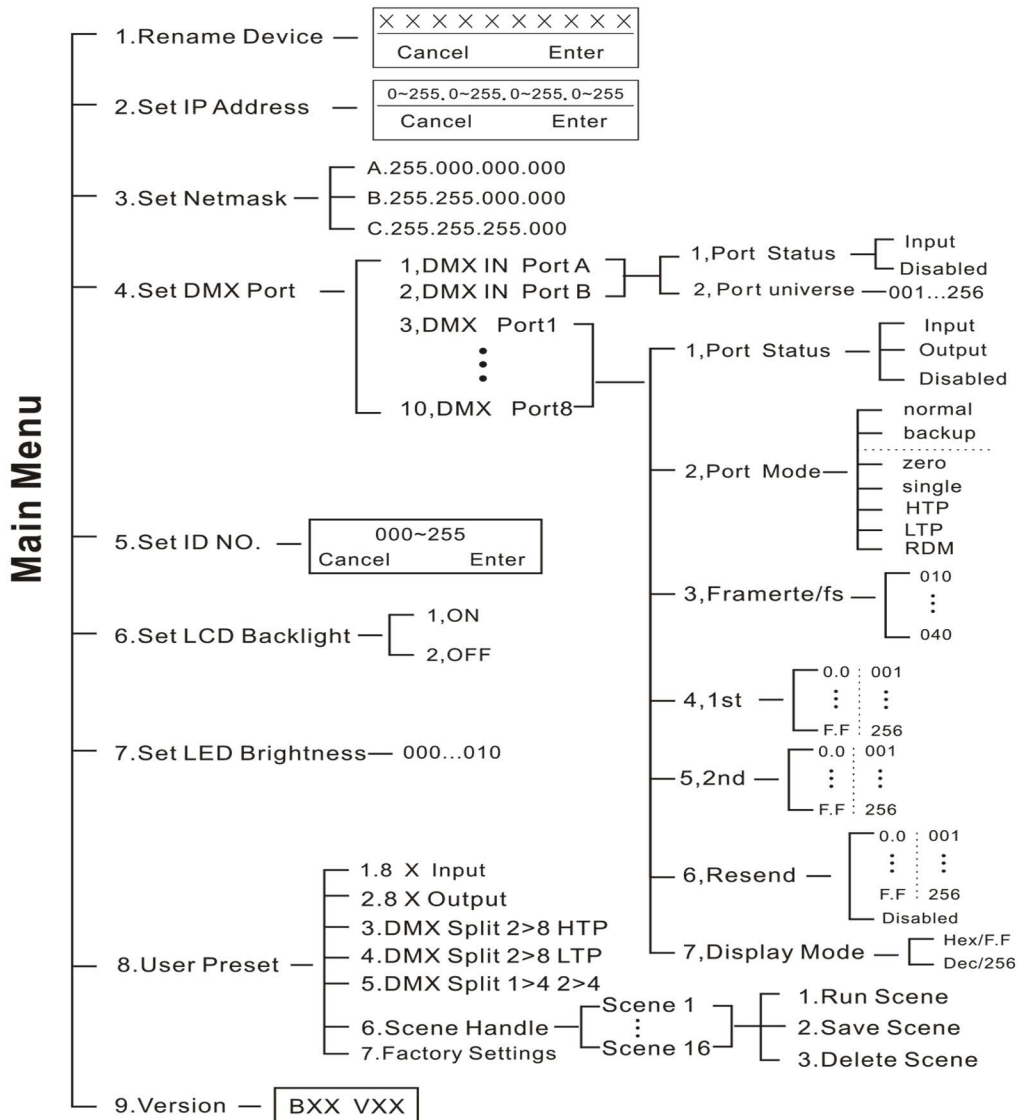
- | | |
|-----------------------------------|------------------------------|
| 9 Power supply | Connect with the power cord |
| 10 Ethernet RJ45 connector | Connect with network cable |
| 11 DMX In port A B | DMX in |
| 12 DMX port 1-8 | Can be set as DMX in/DMX out |



There are 4 different statuses (as pictures show) you can check when you power on the unit. You can switchover them by pressing the UP and DOWN. All of the options can be changed in the main menu.

In the port status, A/B means the network port; “x” means there is no network connected. “√” means the network has been connected. 1-8 refers to the DMX port 1-8. In the status, “x” means the DMX port’s status is inactive. It will hold the current output. “√” stands the DMX port’s status is activity, it has connected to the network. “-” means the current port status is forbidden.

Main menu



Technical Specification

Power Supply: AC100-240V, 50/60Hz

Dimensions/ Weight: 482x44x155mm 2.0kgs
19.0"x1.7"x6.1" in, 4.4lbs

ARTDMX A18

FEATURES

- 2 RJ45 Ethernet (LAN) interface, gigabit network, 10/100/1000M adaptive, support TCP / IP protocol
- Can save 16 SCENCES
- Can upgrade the program of machine and lighting via software
- Support ArtNet-DMX/RDM signal bidirectional conversion
- Each DMX output port can be set to five modes: single, zero, HTP, LTP, RDM
- Each DMX input can be set to normal mode/backup mode, can be used as DMX splitter/amplifier
- IP address can be set manually
- 5 user presets
- LCD display shows the status of each DMX port
- LED light indicates the status of the network port
- Support software online upgrade
- 2 DMX input
- 8 DMX output, all inputs/outputs are optically isolated



CONSTRUCTION

- Display: OLED display
- Data In/Out: 3-pin XLR

ELECTRICAL AND PHYSICAL

- Power Voltage: AC 100V-240V,50/60Hz
- Power Consumption: 11W
- Dimensions: 483x44x145mm (19.0"x1.7"x5.7")
- Weight: 2.0kg (4.4lbs)

SIGNAL CONNECTION DIAGRAM

